

FIG. 4 SEAT ADJUSTER WIRING DIAGRAM

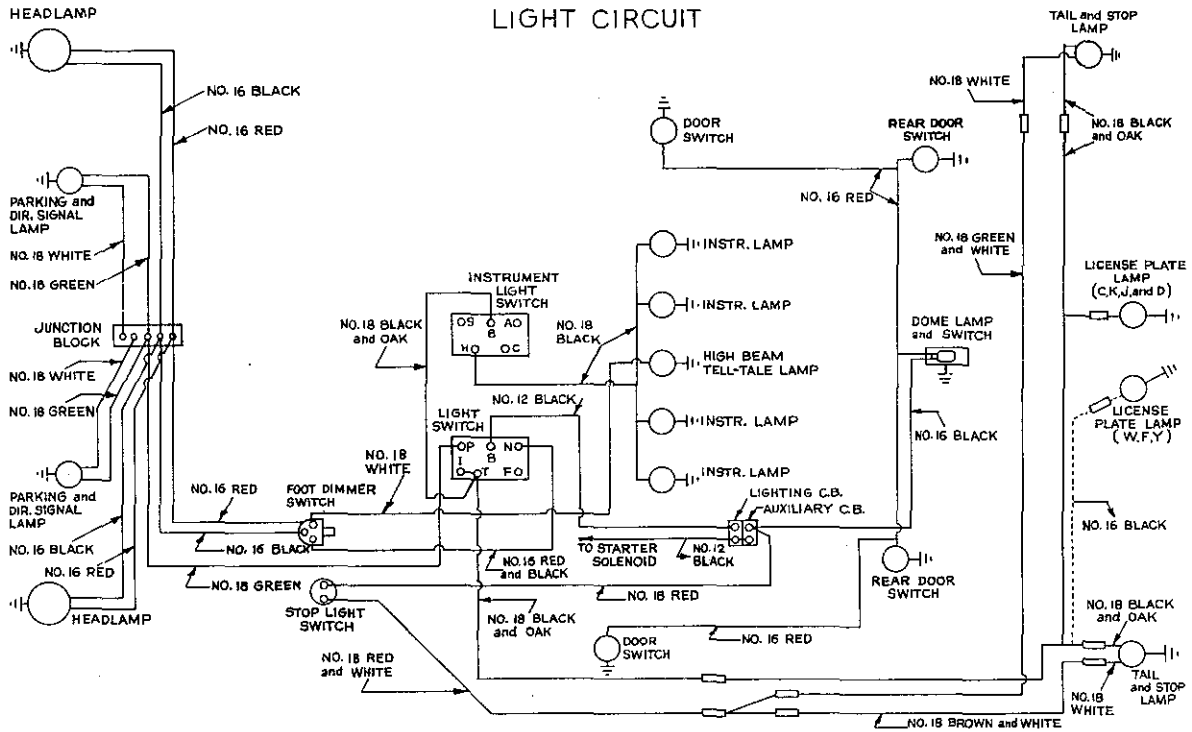


Fig. 5